

Static Balancing Valve(DN15–DN50)

Application:

The Series SSV Static Balancing Valve is designed for flow balancing in cooling, heating or process water systems. Its shutoff feature can be instead the Globe valve. It also has the function of locking of maximum range. The function of locking will be opened after its system debugged. If the products need to be repaired, you can close the Static Balancing Valve, and then directly return to the maximum range. It can avoid the second text, save many time and cost. Its measuring joint enable convenient system troubleshooting. Static balancing valve be used in water supply or return water pipe.

Features:

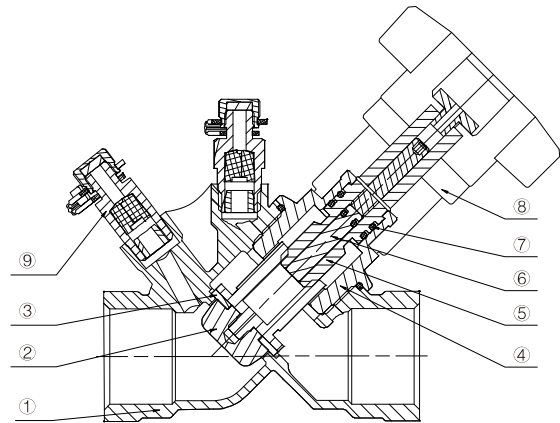
- Accurate flow control
- Numerical indicator of opening rate on the hand wheel
- Open locking is easy
- Shut-off function achieved by hand wheel
- Self-sealing measuring points to protect against leakage



Technical Specification:

Dimensions: DN15–DN50
 Working Temperature: –10~120°C
 Working Pressure: PN25
 Fluid Medium: Cold and Hot Water / Ethylene Glycol
 Connection: Threaded Connection
 Connection Standard: EN10226 GB/T 7306.1–2000
 Materials:

- ① Valve Body: Brass
- ② Valve Core: Brass
- ③ Valve Base Sealing: PTFE
- ④ Valve Bonnet: Brass
- ⑤ Valve Stem: Brass
- ⑥ Core Rod: DZR Brass CW602N
- ⑦ Hand Wheel: EPDM
- ⑧ Sealling: Plastic ABS
- ⑨ Measuring Points: Brass



Technical parameters:

Product Type:

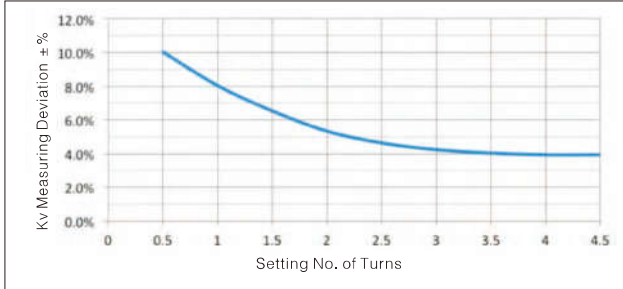
Type	DN	Kvs
SSV015–0SP02	DN15	3.88
SSV020–0SP02	DN20	5.71
SSV025–0SP02	DN25	8.89
SSV032–0SP02	DN32	19.45
SSV040–0SP02	DN40	27.51
SSV050–0SP02	DN50	38.78

Coding Rules:

S	SUNFLU	S	SV	015–	0S	P02
SV	Static Balancing Valve					
DN						
015–DN15	020–DN20					
025–DN25	032–DN32					
040–DN40	050–DN50					
0S	Two-way Threaded					
Pressure Class						
P02	PN25					

Static Balancing Valve(DN15–DN50)

Measuring Accuracy:

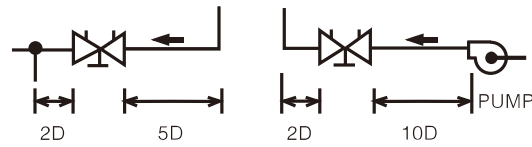


According to the GB/T 28636–2012 standard, when the valve's opening rate is greater than 50%, the deviation is lower than ± 5%. Based on this, it is suggested to choose a valve with at least 50% opening rate when working under the design flow. Additionally, in order to ensure adequate on-site commissioning allowance, it is recommended to set the valve at around 75% opening rate.

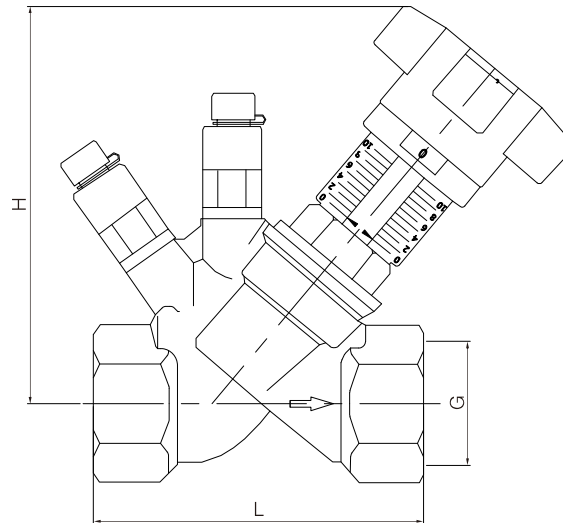
Installation:

People should ensure that there is no debris in the system before installation, please note that static balancing valve with flowing arrow point in the direction of the flow. The Static Balancing Valve is usually installed on return pipe. When combined with Differential Pressure Balancing Valve, it can be used for supply pipe.

Generally, when connected to an elbow or a pump, the valve must keep a certain distance from the elbow or the pump. The rule is shown in the right figure. When connecting to a bend or pump, it is necessary to maintain a certain length of straight pipe. When connecting with elbow, follow valve 5d, rear 2d principle; Follow the 10d principle when connecting with a pump.



Dimension :



DN	G	L(mm)	H(mm)	Kvs
DN15	G1/2	80	114	3.88
DN20	G3/4	84	116	5.71
DN25	G1	97.5	119	8.89
DN32	G1-1/4	110	136	19.45
DN40	G1-1/2	120	138	27.51
DN50	G2	150	148	38.78